

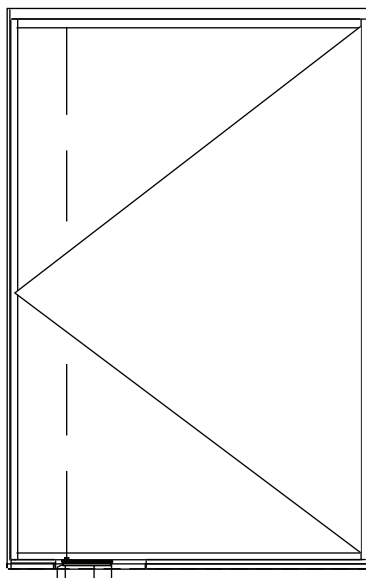
# EDGE |p|

PIVOT DOOR

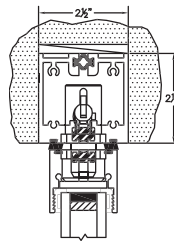


🎯 CONFIGURATIONS	◇ MAX PANEL WIDTH	◇ MAX PANEL HEIGHT	☀️ EXAMPLE SHGC	❄️ EXAMPLE U-FACTOR
H	1'8"	1'12"	Pending	Pending

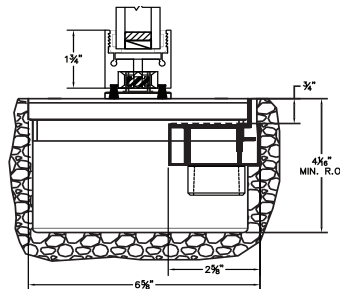
ELEVATION VIEW: H CONFIGURATION



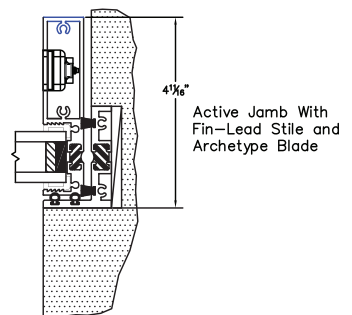
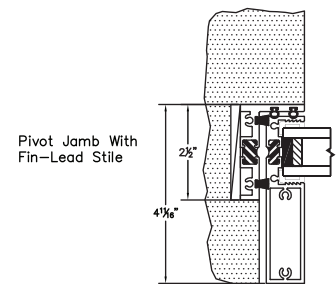
HEAD



SILL W/ ARCHE-DUCT



JAMB



<sup>1</sup>Max width and height are not necessarily available in combination.



## MASSIVE GLASS:

The EDGE |p| allows for incredible sizes with a minimal reveal, delivering big in both function and form. Think 12' tall, 1000 lbs. panels, with a virtually nonexistent frame and effortless one-finger push operation.



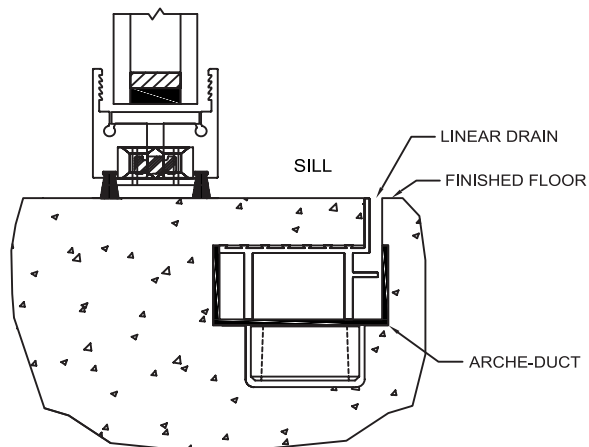
## LUXURY HARDWARE:

EDGE |p| is equipped with electronic bolt locks and the EDGE Collection's signature Archetype Blade locking hardware, both of which are flush and concealed from elevation view. The door comes standard with a Rixson Floor Closer and 90-degree hold open, but can also incorporate automation that synchronizes with the electronic locks to create a truly touch-free experience and integration with smart home systems.



## MINIMAL SIGHTLINES:

The newest addition to the EDGE Collection is by far our most minimal entry door with all exposed framing less than 2". The EDGE |p| is the only swing door on the market to feature a 'zero-edge' jamb with wall finishes that continue directly through the glass line.



## PERFORMING FLOW-THROUGH SILL:

The EDGE |p| features Fleetwood's proprietary Arche-Duct draining system with a slim linear drain that runs jamb to jamb, providing ample weather performance and letting the finished floor become the sill. The drain is optional if the door is protected, allowing the flooring material to run through the opening uninterrupted.